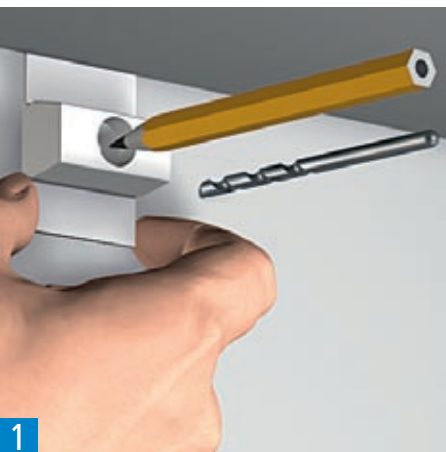
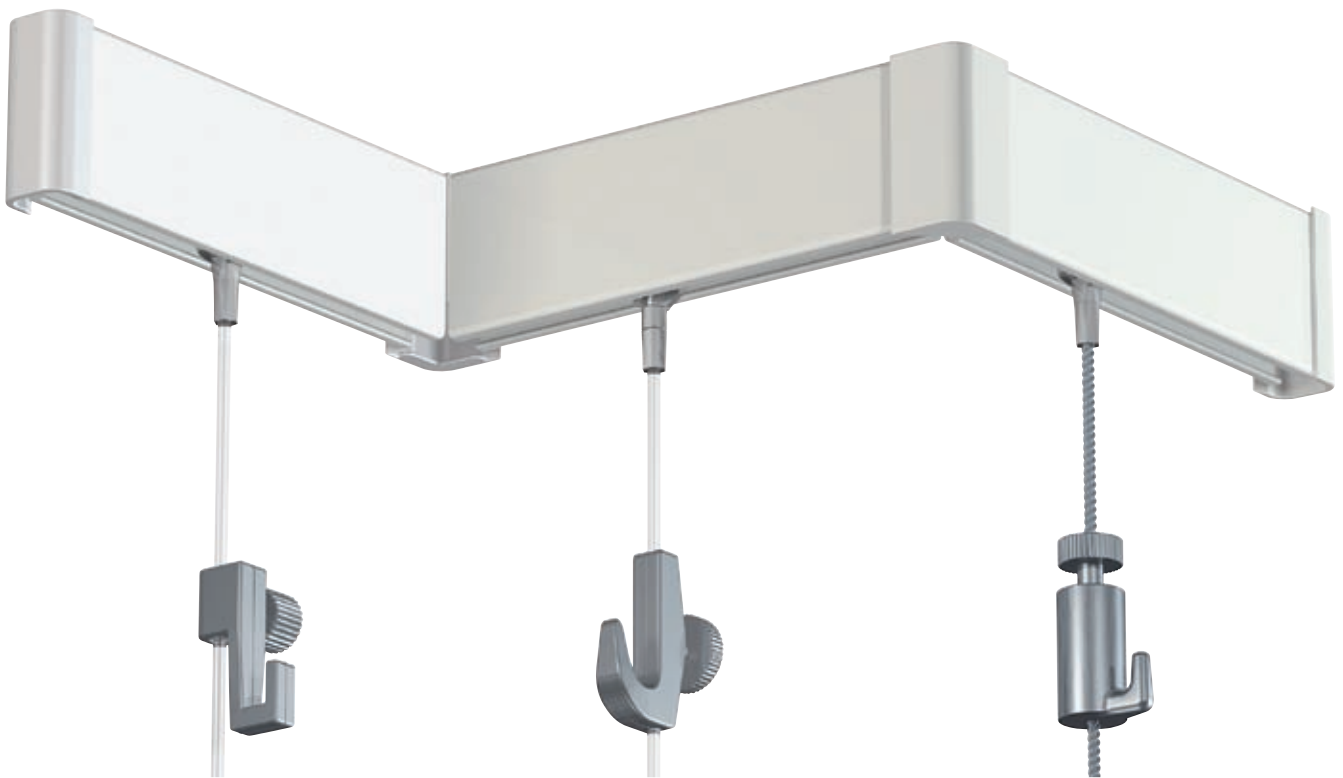
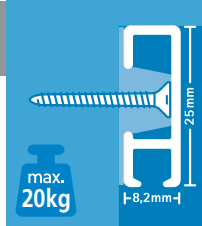


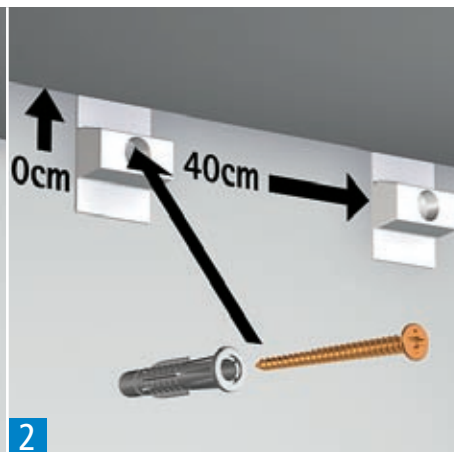


STATE OF THE ART HANGING SYSTEMS

CLICK RAIL



1



2



3